

IS 3360 DCS

Digital Control Solution - Occupancy Detector



The IS 3360 DCS is part of the STEINEL family of high performance commercial motion detection sensors. With 360° of uninterrupted coverage, the IS 3360 DCS provides exceptional lighting control in a wide range of spaces.

IS 3360 DCS sensors are passive infrared and respond to heat radiated from human body motion. They mount on a ceiling and turn lighting ON either automatically with occupancy or manually using a low voltage DCS wall switch. After a period of time where no occupancy has been detected, the sensor switches lighting OFF.

The Digital Control Solution (DCS) group of sensors are available in multiple technologies for the control of heating, ventilation and air conditioning as well as lighting. Time saving wireless commissioning is accomplished via Bluetooth connection from a Smart Phone or Tablet to a DCS Controller, which communicates to the sensor by the 2 wire bus.

Applications

Ceiling mount applications where 360° coverage is needed for indoor and outdoor spaces such as, sports arenas, stairwells, underground parking, parking garages, equipment rooms and warehouses.

Project Name:
Location:

72497	65330	69196	
80208	72660		

IS 3360 DCS Specifications

Item No.	72497 IS 3360 DCS
Accessories	65330 WGC wire guard cage 69196 DCS CONNECT 80208 DCS Controller 72660 IS FMA DCS
Voltage	12 - 22.5 VDC (6 mA)
Device Equivalent	3
Mounting	Ceiling
Sensing Technology	3 infrared pyroelectric detectors (PIR)
Light Level Setting	2 - 2,000 lux / .2 - 200 fc
Environment	IP54 rated, -40°F to +158°F, -40°C to +70°C
Coverage	360° detection angle, 180° angle of aperture, highbay setting at 40 ft mounting height radially: up to 44 ft. tangentially: up to 70 ft. Lowbay setting at 8 ft mounting height radially: up to 24 ft. tangentially: up to 84 ft.
Installation Height	8-50 ft (2.5-15 m)
Lens Design	1,416 switching zones, 11 detection levels
Dimensions (LxWxD)	3.74 x 3.74 x 3.11 in. 95 x 95 x 79 mm.

Key Features:

- Low voltage (12-23 VDC) digital sensor for use with a DCS Controller
- PIR presence detection
- Wireless configuration via Steinel App
- Polarity Insensitive 2 wire buss
- 3 pyroelectric detectors with 1,416 switching zones provides highly accurate small motion detection
- Automatically adjusts to temperature changes keeping sensitivity and coverage consistent
- Highbay or lowbay selection available in the App

PIR

Passive Infrared Technology



360° Coverage

IP54

IP54 Rated

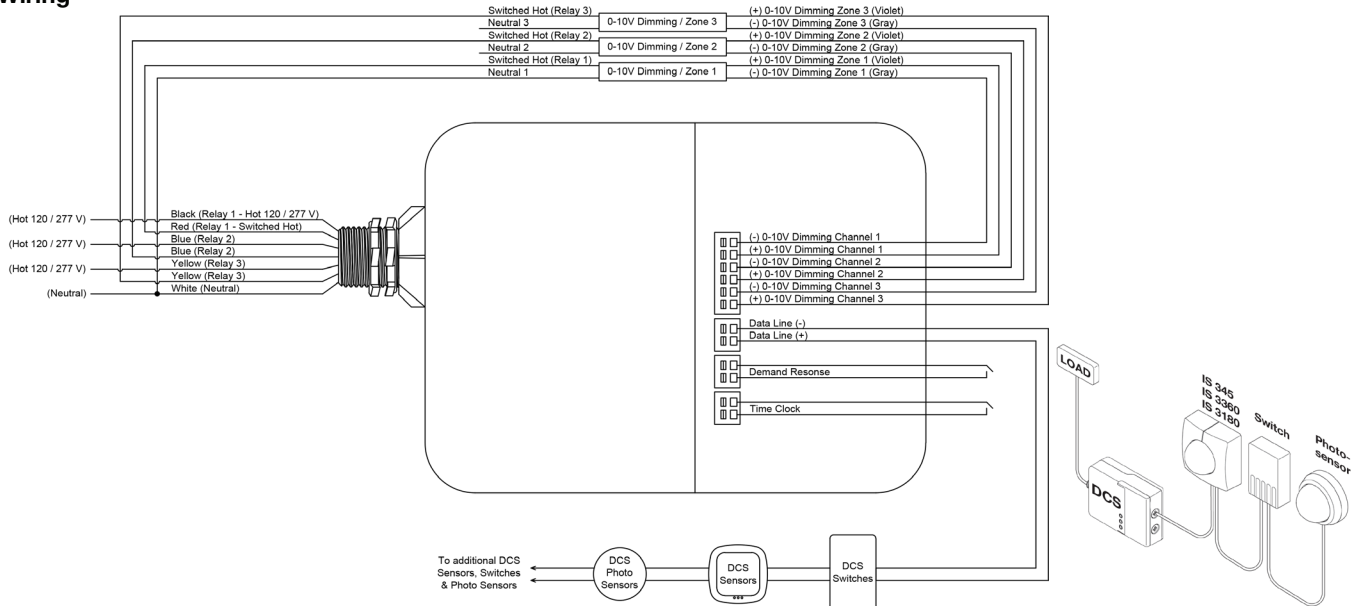
Ceiling
or
Fixture

Mounting

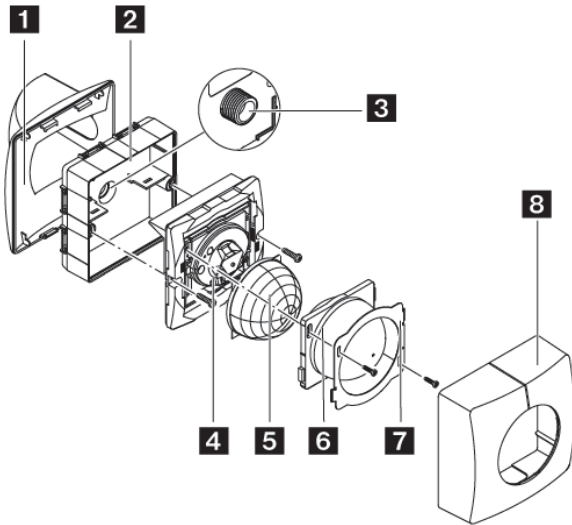
IS 3360 DCS

Digital Control Solution - Occupancy Detector

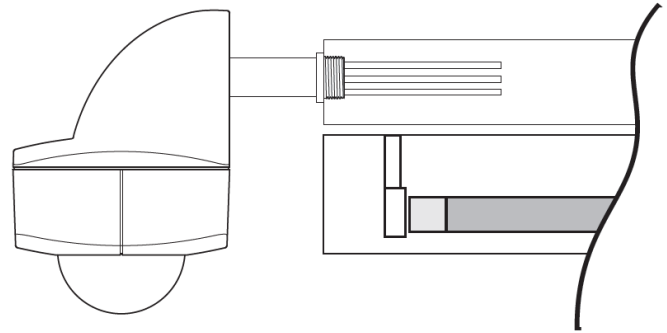
Wiring



Product Overview



Mounting



- 1 Fixture Mount Adapter (accessories) not included
- 2 Back housing
- 3 1/2" (trade size) threaded nipple
- 4 Front housing
- 5 Shroud
- 6 Lens
- 7 Press plate
- 8 Design cover

Coverage Highbay

